
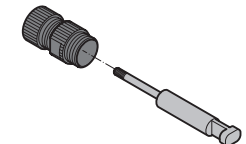
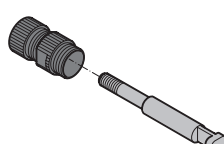
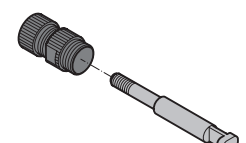
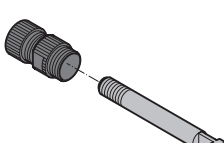


Capacity in stainless steel			
			
M5 10-24 10-32		M8 $\frac{5}{16}$ -18	
M6 $\frac{1}{4}$ -20		M10 $\frac{3}{8}$ -16	
		M12 $\frac{3}{8}$ -16 $\frac{1}{2}$ -13	