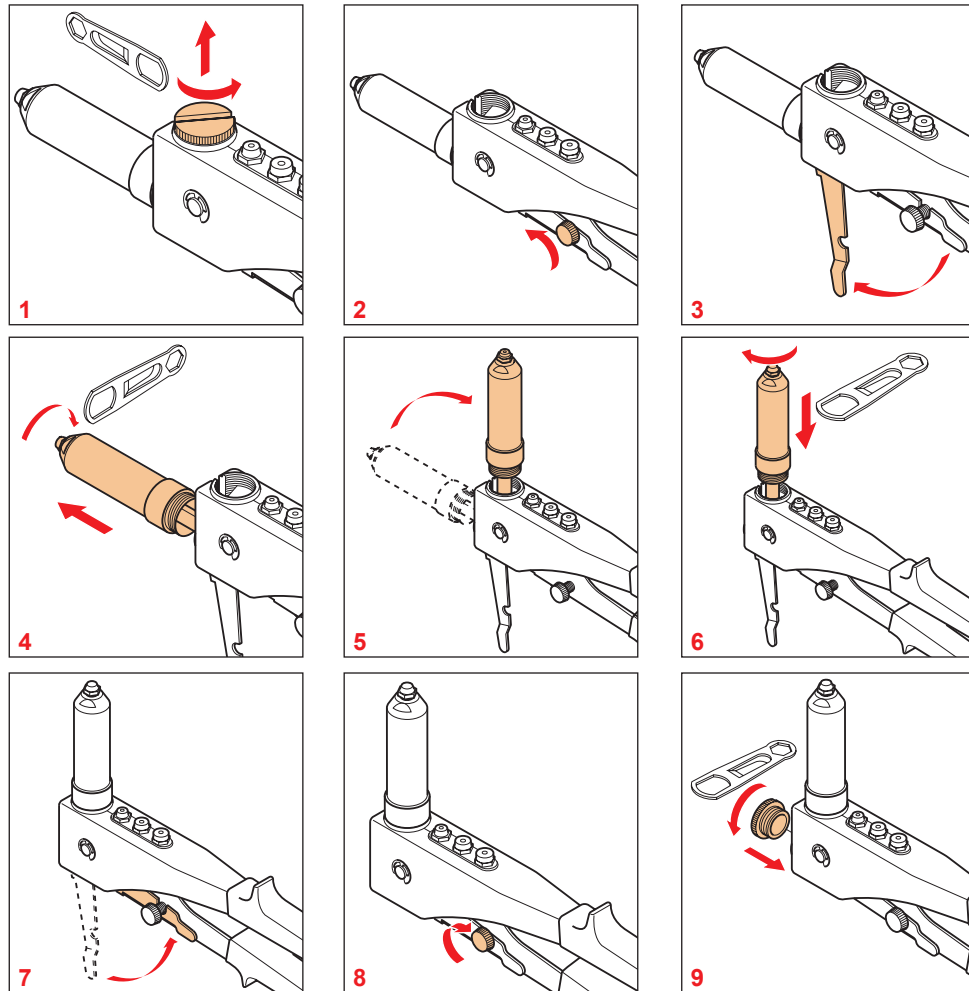
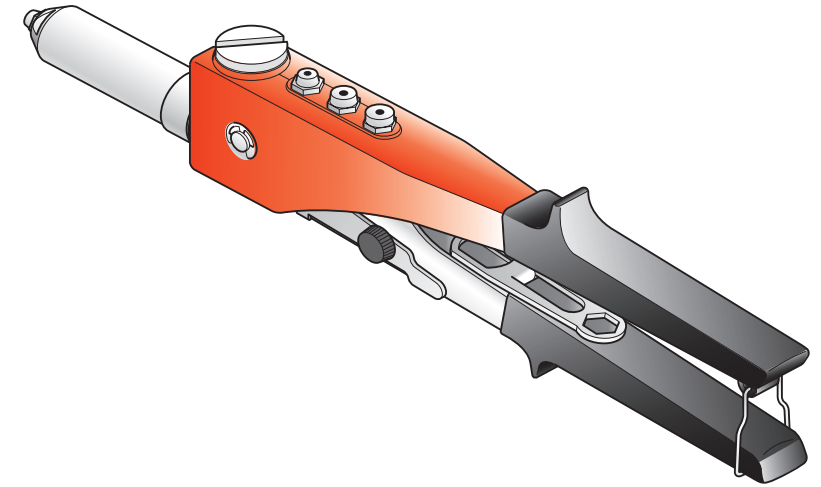


# MFX 10000



|                | Metric [mm] | Size | Imperial [inch] | nose piece |
|----------------|-------------|------|-----------------|------------|
| Standard Rivet | 2,4         | 3    | 3/32            | A          |
| Standard Rivet | 3,0 - 3,2   | 4    | 1/8             | B          |
| Standard Rivet | 4,0         | 5    | 5/32            | C          |
| Standard Rivet | 4,8 - 5,0   | 6    | 3/16            | D          |

# MFX 10000



| Capacity in aluminium |  |                       |  |
|-----------------------|--|-----------------------|--|
|                       |  |                       |  |
| 2,4 mm<br>3/32"       |  | 4,0 mm<br>5/32"       |  |
| 3,0 - 3,2 mm<br>1/8"  |  | 4,8 - 5,0 mm<br>3/16" |  |

